

Button-Guard+



A unique range of buttons and switches that are fully protected, the range that you can count on.

Standard Push Button Options

Why use Button-Guard+ ?

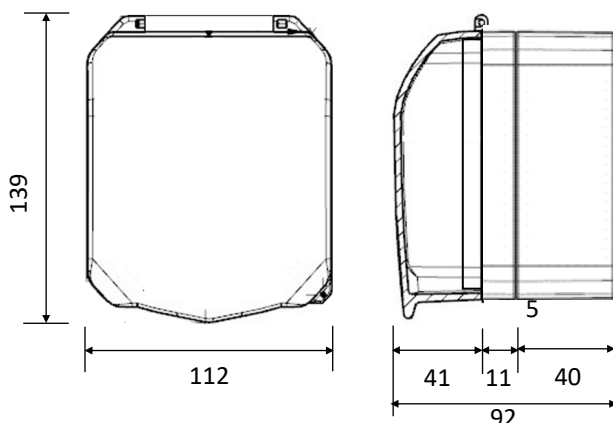
The new 'All in One' protective enclosure specifically designed to give the added protection to vulnerable range of buttons and switches that is ultimately need. Lead the fight back against environmental failure, accidental activation, vandalism or unnecessary damage.



Key attributes:

- Surface Mount (not retrofit)
- Weatherproof
- Break-Seal Mounting Area
- High Impact Protection (from both front & side)
- UV Stabilised (prolongs life from UV rays)
- Manufactured in Robust Polycarbonate
- Flexible wording options ('Apply Yourself' labels)

Product Dimensions in MM's



These everyday issues can be a crippling cost to any business and potentially unrecoverable. Prevent downtime, eliminate false shutdowns, evacuations, but help save and protect your business and your life

Button-Guard+ allows you the flexibility when choosing the button or switch you require, it then provides the ultimate protection it needs, from the environment and or from unwanted activations.

Simply choose from a extensive range of:

- Emergency push buttons,
- Standard push buttons,
- Selector switches,
- Key switches,
- Industrial ON/OFF buttons,

Then allow the Button-Guard+ to be your best line of defence

Strength & Durability

The **Button-Guard+** is small, incredibly strong and robust, its construction helps protect from hard hitting impacts from the front or from the side and also defends against 2 problematic everyday issues. Firstly protecting the covering product from the ingress of water and dust especially when the installation is within a harsh / industrial environment and secondly to defend the covering product against accidental activation or even targeted misuse.

UV Stabilisation

Manufacture in UV stabilised polycarbonate it will become your first line of defence, having the ability to protect against extreme environmental conditions, hard hitting impacts from the front or from the side.

Application areas:

Industrial Application Areas, Outdoors Areas, Washdown Areas, Sauna's and Pool Areas etc.....

'Apply Yourself' Instructive Labels - allowing flexibility:

The product comes complete with 'Apply yourself' instructive labels, to allow you to provide the correct wording or text depending on the application.

20mm Threaded Inserts



The rear back section has 20mm entry points on both the top and the bottom surfaces, giving you the ability to rotate the back box depending on the installation circumstances.

- For further colour options and ordering codes (see over)

Type: Momentary Operation Buttons - Non-Illuminated

Push to operate then release
N.O. & N.C. Contact

Product Code: Description:
BG-PB-M-O-2-0/G Button Guard+ with Push Button, Momentary,



Type: Latching Operation Buttons – Illuminated

Push to operate then Push again to release
N.O. & N.C Contact

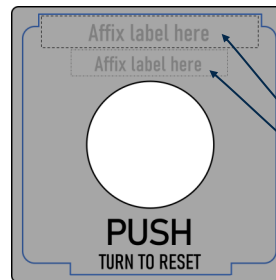
Product Code: Description:
BG-PB-L-O-2-12/G Button Guard+ with Illuminated Push Button, Latching, 12v Led, Green
BG-PB-L-O-2-24/G Button Guard+ with illuminated Push Button, Latching, 24v Led, Green
BG-PB-L-O-2-220/G Button Guard+ with illuminated Push Button, Latching, 220v Led, Green

Push Button Specifications:

Button Type:	Flush button Switch
Material:	Plastic
Operation mode:	Momentary
Protection Grade:	IP65
Rated insulation:	AC 600V(50Hz/60Hz)
Insulation resistance:	≥50M Ω
Conventional heating current:	10A
Contact resistance:	≤25Min Ω
Insulation resistance:	≥50M Ω
Pf withstand voltage:	AC 2.5KV/min
Contact resistance:	≤25Min Ω
Voltage wave:	±20%
Mechanical life:	100x10 ⁴
Electrical life:	50x10 ⁴
Continuous working life:	10x10 ⁴ h

'Apply Yourself' Instructive Labels:

Each individual Button-Guard+ product will automatically come with a selection of 'Apply Yourself' labels designed to allow added flexibility, there are even blank labels that easily be written on too.



Once you have chosen and selected the required label(s), peel them off the sheet and affix the label(s) on to the product

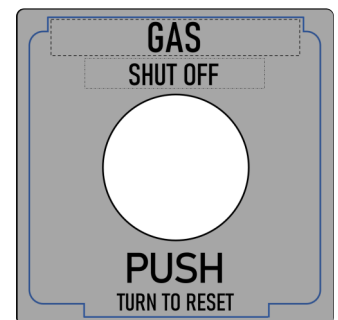


Primary Text Label Options:

EMERGENCY STOP · EXIT · GAS · EXTINGUISHANT · EMERGENCY · LOCKDOWN · PANIC ALARM · EVACUATE · POOL ALARM · INCIDENT · INTRUDER · ABORT

Secondary Text Label Options:

HOLD · ABORT · ASSIST · ALERT · EXTRACT · POWER OFF · START · SHUT OFF · RELEASE ·



Ultra Guard+ Operation Label



Each protective Ultra Guard+ enclosure comes complete with an fully instructive, translucent operation label.

Easy to follow in case of an emergency or if legitimate activation is required

Blank Label Options:

If you cannot find the text you require there are also blank labels available to choose from, these can easily be written on by hand before affixing to the product if desired.

Additional Security Option—Break seal Facility

Break seal mounting holes are positioned on the lower right hand corner of the cover and the central coloured chassis., apply an 'easy break' break-seal through the hole to give addition security or deter unwanted tampering

Ultra-Guard+ Accessories:

UG-BR-10 Ultra-Guard Replacement Break-seals, Pack of 10

