

Ultra-Guard+

The Anti-Tamper and Weatherproof Enclosure for Manual Call Points



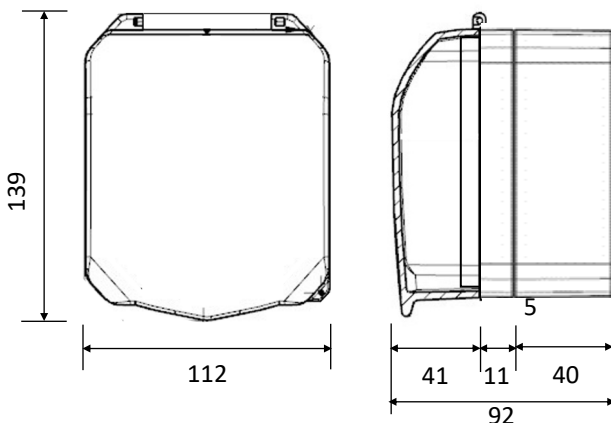
Application areas:

Industrial Areas, Outdoors Areas, Washdown Areas, Sauna's and Pool Areas etc....

Key attributes:

- Surface Mount (not retrofit)
- Weatherproof
- Break-Seal Mounting Area
- High Impact Protection (from both front & side)
- UV Stabilised (prolongs life from UV rays)
- Manufactured in Robust Polycarbonate

Product Dimensions in MM's



Rugged / Outdoor / Tamperproof Protection for Manual Call Points

Why use Ultra Guard+ ?

The new 'All in One' protective enclosure specifically designed to give the added protection to vulnerable manual call points that is ultimately need.

Lead the fight back against environmental failure, vandalism or unnecessary damage.

These everyday issues can be a crippling cost to any business and potentially unrecoverable. Prevent downtime, eliminate false evacuations, save and protect your business and your life

Ultra Guard+ the protection designed to save lives

Strength & Durability

The **Ultra Guard+** is small, incredibly strong and robust, its construction helps to defend against 2 problematic false alarm issues. Firstly protecting the covering product from the ingress of water and dust especially if installation is within a harsh environment and secondly to defend the covering product against accidental or targeted misuse.

UV Stabilisation

Manufacture in UV stabilised polycarbonate it will become your first line of defence, having the ability to protect against extreme environmental conditions, hard hitting impacts from the front or from the side. Critically protecting essential life safety MCP's.



Available in 5 colours

Red, Green, Yellow, Blue and White

20mm Threaded Inserts



The rear back section has 20mm entry points on both the top and the bottom surfaces, giving you the ability to rotate the back box depending on the installation circumstances.

- For further colour options and ordering codes (see over)

Ordering Models

Product Code:

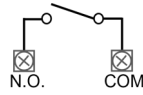
UG+/R



Description:

Ultra Guard+ with Red Fire, Conventional Resettable MCP

Switch Arrangement
Normally Open



Built in Resistors
470 Ohm & 680 Ohm

Product Code:

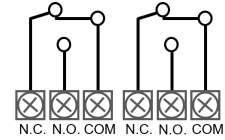
UG+/G



Description:

Ultra Guard+ with Green Access Control Resettable MCP

Switch Arrangement
Double Pole



Product Code:

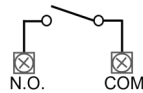
UG+/B



Description:

Ultra Guard+ with Blue Gas Abort Conventional Resettable MCP

Switch Arrangement
Normally Open



Built in Resistors
470 Ohm & 680 Ohm

Product Code:

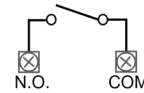
UG+/Y



Description:

Ultra Guard+ with Yellow, Gas Extinguishant Conventional Resettable MCP

Switch Arrangement
Normally Open



Built in Resistors
470 Ohm & 680 Ohm

Product Code:

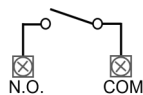
UG+/W



Description:

Ultra Guard+ with White, General Alarm Resettable Conventional MCP

Switch Arrangement
Normally Open



Built in Resistors
470 Ohm & 680 Ohm

Ultra Guard+ Operation Label



Each protective Ultra Guard+ enclosure comes complete with an fully instructive, translucent operation label.

Easy to follow in case of an emergency or if legitimate activation is required

Additional Security Option—Break seal Facility

By simply attaching a break seal to the Ultra Guard+ will deter unwanted access to the MCP, it can also allow you added security and check for tampering. The break seals are designed to be 'easy breaking' in case emergency access is actually required.

Break seal mounting holes are positioned on the lower right hand corner of the cover and the central coloured chassis.

Ultra-Guard+ Accessories:

UG-BR-10 Ultra-Guard Replacement Break-seals, Pack of 10

